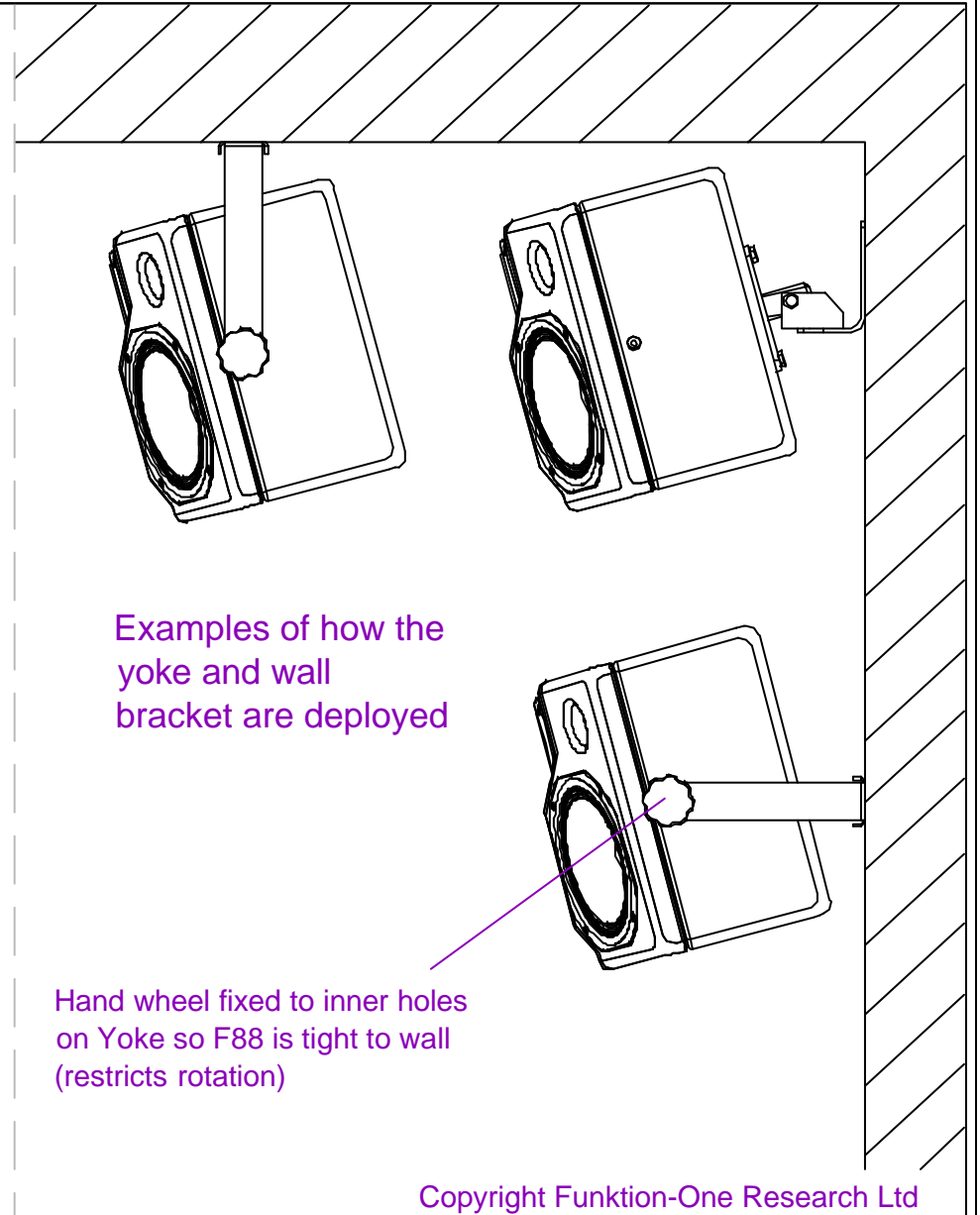
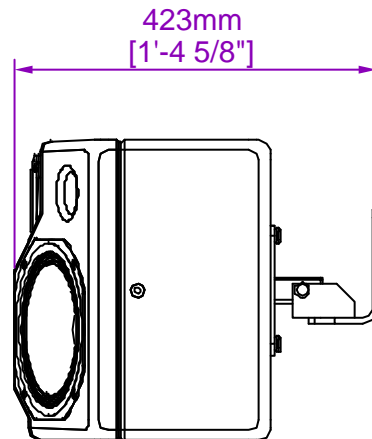
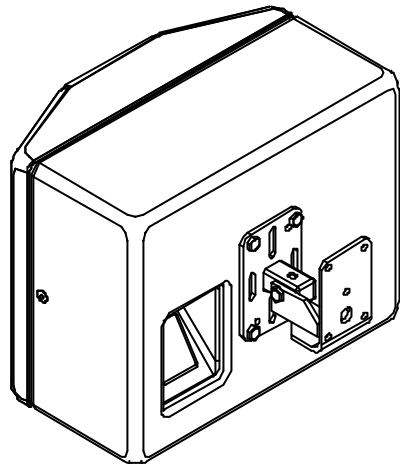
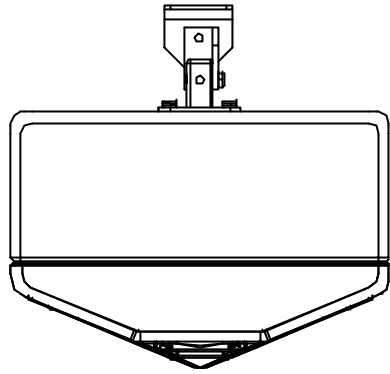


WM88 - Angles can be adjusted vertically and horizontally

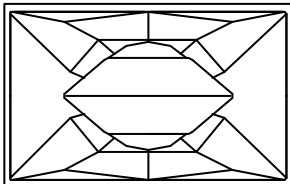


Examples of how the yoke and wall bracket are deployed

Hand wheel fixed to inner holes on Yoke so F88 is tight to wall (restricts rotation)

All dimensions in mm and inches

Copyright Funktion-One Research Ltd



FUNKTION-ONE

Hoyle, Horsham Road, Beare Green, Dorking, Surrey, RH5 4PS, England

Phone: +44 (0)1306 712820

Fax: +44 (0)1306 711240



mail@funktion-one.com

www.funktion-one.com

Accessories for: F88

WM88 - Wall bracket, attached to rear of enclosure