

This mounting bracket set works in a "hook and hang" arrangement, where the hooks on the Ceiling / Wall Plate engage with the slots in the Cabinet Plate.

For assembly, please follow these two steps:

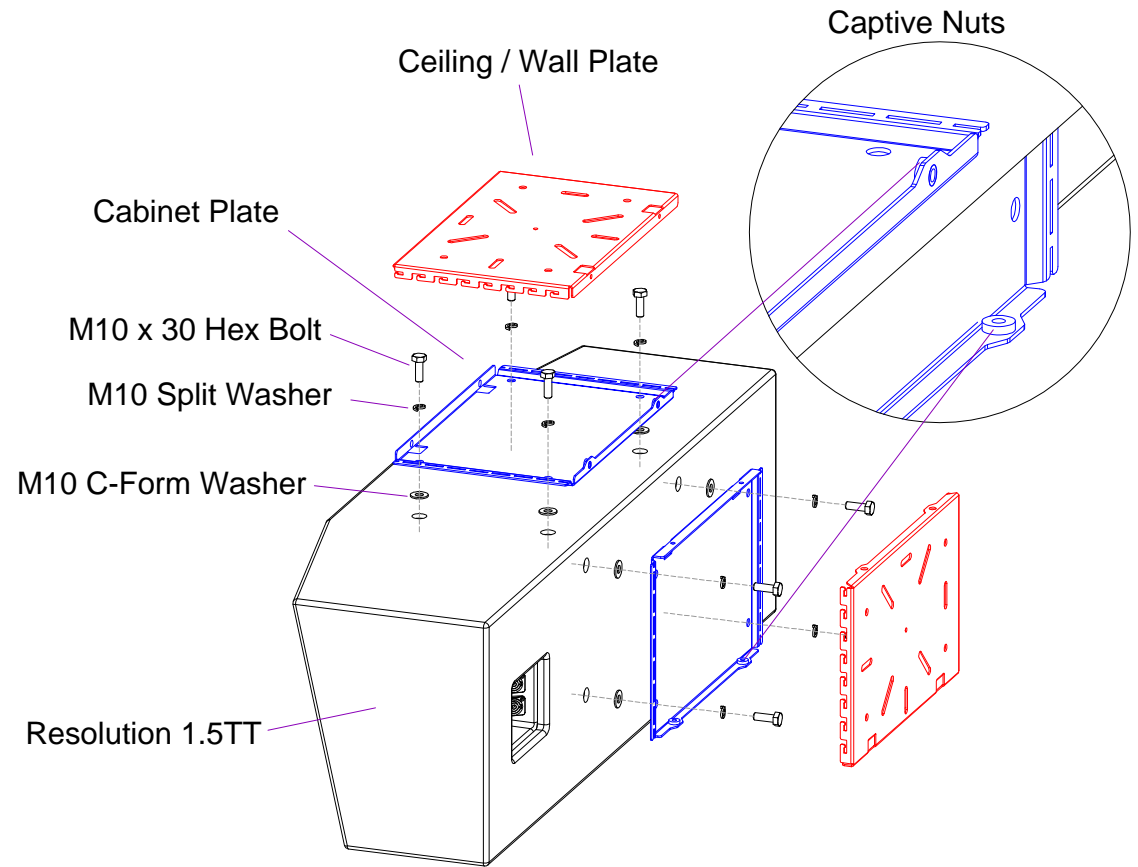
**Step 1.** Secure the Cabinet Plate to the top or the back of the cabinet, depending on whether the loudspeaker is to be ceiling or wall mounted.

If ceiling mounting, the plate's captive nuts should be at the rear of the cabinet. If wall mounting the captive nuts should be at the bottom of the cabinet.

The plate is secured to the cabinet using four M10 x 35 hex bolts, split washers and large c-form washers.

Please take note from the diagram, the order in which these are placed.

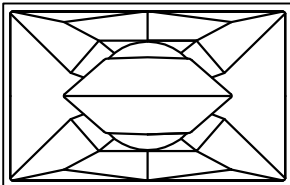
Go to Page 2 for Step 2.



Step 1. Fitting the Cabinet Plate

All dimensions in mm and inches

Copyright Funktion-One Research Ltd



FUNKTION-ONE

Hoyle, Horsham Road, Beare Green, Dorking, Surrey, RH5 4PS, England

Phone: +44 (0)1306 712820

Fax: +44 (0)1306 711240



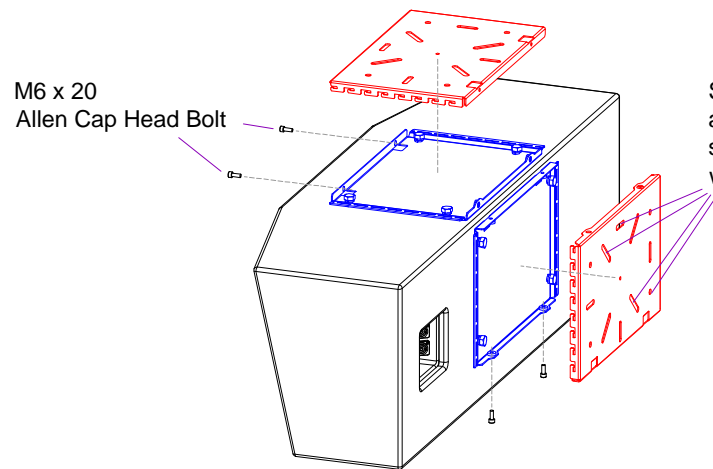
mail@funktion-one.com

www.funktion-one.com

Accessories for: Resolution 1.5TT

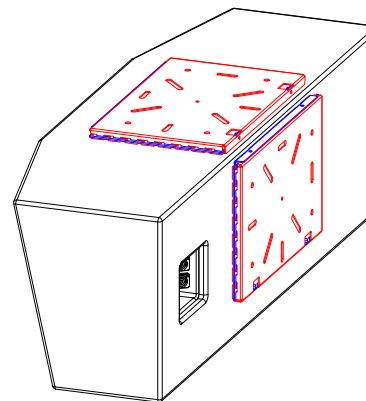
- Coupling Plate Set

Please note, these diagrams show configurations for both wall mounting and ceiling mounting. Only one configuration is possible and necessary when deploying the loudspeaker.



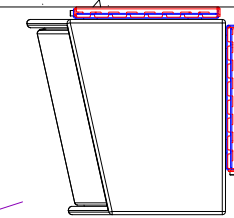
Step 2. Fitting the Cabinet onto the Wall / Ceiling Plate

Several tolerance slots and holes for flexible securing options to wall or ceiling



Fully Assembled - Visual of how plates fit together when secured against ceiling or wall

Direction of lift/push when mating the cabinet to the Ceiling Plate



Direction of lift/push when mating the cabinet to the Wall Plate



**Step 2.** Secure the Ceiling / Wall plate to the ceiling or the wall with appropriate fixings.

Lift the cabinet so that the hooks engage with the slots and then push in the appropriate direction to allow the cabinet to hang on the plate's hooks. Secure the two plates together, to prevent rattle, by tightening the two M6 x 20 Allen Head bolts at the accessible end of the plates. A long necked Allen Key will be required for this function.

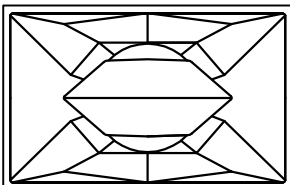
**Please Note:**

- If mounting the Ceiling / Wall Plate against an uneven surface be sure to avoid deforming the plate when tightening the bolts as this may result in the assembly not working.
- When mounting the loudspeaker against or close to the wall remember that the cable needs to be connected before securing the cabinet.
- When wall mounting, be sure to leave space between the top of the plate and the ceiling to allow the cabinet to "drop" into the plate.

*These diagrams show configurations for **both** wall mounting and ceiling mounting. Only one configuration is possible and necessary when deploying the loudspeaker.*

All dimensions in mm and inches

Copyright Funktion-One Research Ltd



**FUNKTION-ONE**

Hoyle, Horsham Road, Beare Green, Dorking, Surrey, RH5 4PS, England

Phone: +44 (0)1306 712820  
Fax: +44 (0)1306 711240



mail@funktion-one.com  
www.funktion-one.com

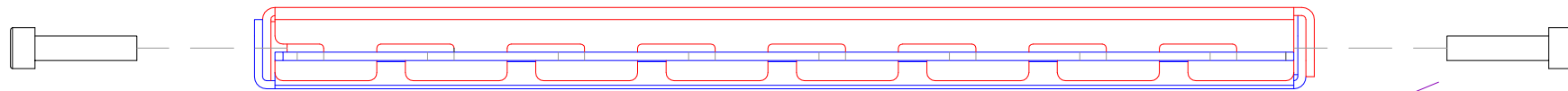
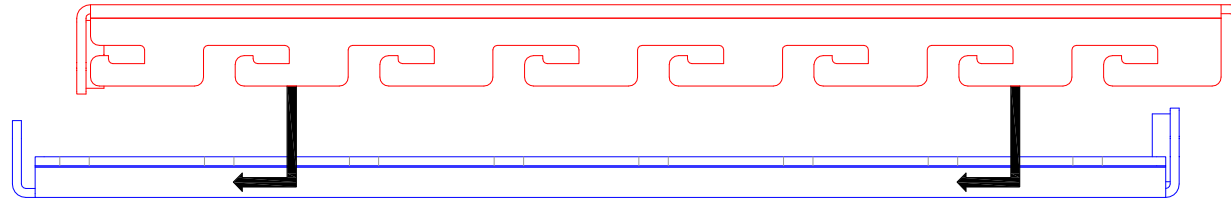
Accessories for: Resolution 1.5TT

- Coupling Plate Set

Please note, these diagrams show configurations for both wall mounting and ceiling mounting. Only one configuration is possible and necessary when deploying the loudspeaker.

This bracket works in a "hook and hang" arrangement, where the hooks on the Ceiling / Wall Plate engage with the slots in the Cabinet Plate.

Note the direction and positioning of the two plates when mating.



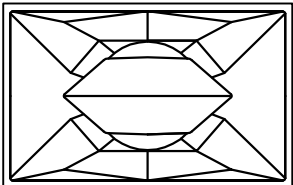
Mated Plates

M6 x 20 Allen Head Bolt used to tighten the mate

Only one position necessary.  
Position of bolt depends on whether the plate is  
wall or ceiling mounted.

All dimensions in mm and inches

Copyright Funktion-One Research Ltd



**FUNKTION-ONE**

Hoyle, Horsham Road, Beare Green, Dorking, Surrey, RH5 4PS, England

Phone: +44 (0)1306 712820

Fax: +44 (0)1306 711240



mail@funktion-one.com

www.funktion-one.com

Accessories for: Resolution 1.5TT

- Coupling Plate Set

Mating the plates